

MOBOTIX D15 2x 6MP DualDome Camera



Technical specifications subject to change without notice

Adjustable lens modules can capture two different areas simultaneously.

Versatile. Twice As Vigilant.

The D15 is a dual-lens dome camera with two lens modules providing a wide range of fully adjustable viewing options. The D15 180° model delivers a super-wide panorama view in super-high resolution.

Technical specifications subject to change without notice. For more information on the D15 and on the entire range of MOBOTIX products, such as prices, manuals, video management software for computers and iOS devices, etc., please go to www.mobotix.com > **Products**. Or contact us by phone (+49 06302 9816-103) or email (sales@mobotix.com).



Adjustable Lenses

Versatile Installation

Choose from various lens units, all fully adjustable in any direction within the camera. This flexibility, combined with the dual-lens system, provides practically unlimited viewing options from one camera.



180°

Panoramic View

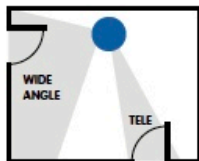
The D15 180° model captures a super-wide view, with a combined maximum recording resolution of 12 megapixels. The fixed lenses can be manually adjusted up/down, swivelled left/right for viewing adjustment.



Fixed Lenses

Day & Night Capture

The D15-Sec-DNight-Fix includes a locked-lens system with parallel alignment of two lens units for perfect same-view day and night video capture.



Two Cameras In One

Dual-lens system captures two different views simultaneously and requires only a single PoE cable connection.

Technical Data

Lens Options	B036 to B237 (L20 to L135), 180° version (panorama), DNight-FIX version with parallel Day/Night lenses	Min. Light Sensitivity	Day Sensor: 0.1 lux at 1/60 sec Night Sensor: 0.02 lux at 1/60 sec
Image Sensors	1/1.8" CMOS (6MP) Day (Color) or Night (B&W)	Sensor Resolution	6MP: 3072×2048 pixels (Color/B&W)
Max. Frame Rate (MxPEG)	MEGA/HD: 30 fps, QXGA: 15 fps, 6MP: 8 fps, 2x 6MP: 4 fps	Compression	MxPEG, M-JPEG, JPEG, H.264 (SIP video only)
DVR Recording	Internal: microSD Card External: PC/NAS (to 4 TB)	Audio	Integrated microphone & speaker, VoIP, intercom, sound recording
Operating Conditions	IP54/65 (without/with wall mount), IK10, IP66/IK10+ (with Vandalism Kit), -30 to +60 °C	Internal Sensors	Temperature, PIR, microphone illumination, shock detector
Image Processing	MxActivitySensor, VMD, image correction, backlight	Software (free of charge)	MxManagementCenter, MOBOTIX App



D15 – Technical Specifications

Security-Vision-Systems **MOBOTIX**

Camera Variants	D15 Day	D15 Night	D15 180° Day	D15 180° Night	D15 DNight-Fix
Specialties	Modular system: D15 Body MX-D15Di-Sec with 1 or 2 lens units of choice (self-assembly)		Complete Sets: D15 models with factory-fitted lens units		
Lenses, Sensors					
Lens unit with Ultra Wide Lens B036 (103° x 77°), night version optionally with long-pass filter (LPF)	MX-D15-Module-D20-6MP-F1.8	MX-D15-Module-N20-(LPF)-6MP-F1.8	–	–	MX-D15Di-Sec-DNight-D20N20-FIX-6MP-F1.8
Lens unit with Super Wide Lens B041 (90° x 67°), night version optionally with long-pass filter (LPF)	MX-D15-Module-D22-6MP-F1.8	MX-D15-Module-N22-(LPF)-6MP-F1.8	MX-D15Di-Sec-180-6MP-F1.8	MX-D15Di-Sec-Night-180-6MP-F1.8	MX-D15Di-Sec-DNight-D22N22-FIX-6MP-F1.8
Lens unit with Wide Lens B061 (60° x 45°), night version optionally with long-pass filter (LPF)	MX-D15-Module-D32-6MP-F1.8	MX-D15-Module-N32-(LPF)-6MP-F1.8	–	–	MX-D15Di-Sec-DNight-D32N32-FIX-6MP-F1.8
Lens unit with Standard Lens B079 (45° x 34°), night version optionally with long-pass filter (LPF)	MX-D15-Module-D43-6MP-F1.8	MX-D15-Module-N43-(LPF)-6MP-F1.8	–	–	MX-D15Di-Sec-DNight-D43N43-FIX-6MP-F1.8
Lens unit with Tele Lens B119 (31° x 23°), night version optionally with long-pass filter (LPF)	MX-D15-Module-D65-6MP-F1.8	MX-D15-Module-N65-(LPF)-6MP-F1.8	–	–	MX-D15Di-Sec-DNight-D65N65-FIX-6MP-F1.8
Lens unit with Distant Tele Lens B237 (15° x 11°), night version optionally with long-pass filter (LPF)	MX-D15-Module-D135-6MP-F1.8	MX-D15-Module-N135-(LPF)-6MP-F1.8	–	–	MX-D15Di-Sec-DNight-D135N135-FIX-6MP-F1.8
Image sensor with individual exposure zones	Color	B/W	Color	B/W	Color + B/W
Sensor sensitivity in lux at 1/60 s /1 s	0,1/0,005	0,02/0,001	0,1/0,005	0,02/0,001	0,1/0,005 (Color) 0,02/0,001 (B/W)
Image sensor resolution (color or B/W sensor)	6MP (3072 x 2048)				

Hardware Functions					
Protection class with no accessories/Outdoor Wall Mount/Vandalism Set	IP54/IP65/IP66 and IK10/IK10/IK10+				
Ambient temperature (range)	-30 to 60°C/-22 to 140°F				
Temporary internal DVR	64 MB				
Internal DVR, ex works	4 GB (microSD)				
Microphone/speaker	•/•				
Passive infrared sensor (PIR)	•				
Camera optics with Long-Pass Filter (LPF)	–	• (optional)	–	–	–
Integrated temperature sensor	•				
Shock detector	•				
Power consumption (typical)	< 7 watts				
Variable PoE class (factory default: 3)	2 or 3				
Interfaces Ethernet/MxBus/USB	•/•/•				
Interfaces IO and RS232	With accessory (MX-232-IO-Box)				

Image Formats, Frame Rates, Image Storage				
Maximum image format (dual image from both sensors)	2x 6MP (6144 x 2048) 2x 6MP			
Maximum frame rate (MxPEG, max. resolution)	8 fps (6MP), 4 fps (2x 6MP)	4 fps (2x 6MP)	8 fps (6MP) 4 fps (2x 6MP)	
CIF images with 4 GB MicroSD DVR	250,000			
VGA images with 4 GB MicroSD DVR	125,000			
HD images with 4 GB MicroSD DVR	40,000			
QXGA images with 4 GB MicroSD DVR	20,000			

Camera Variants	D15 Day	D15 Night	D15 180° Day	D15 180° Night	D15 DNight-Fix
General Functions					
Digital zoom (continuous) with panning	•	•	•	•	•
Codecs: Motion-JPEG/MxPEG/H.264 for SIP	•/•/•	•/•/•	•/•/•	•/•/•	•/•/•
Programmable exposure zones	•	•	•	•	•
Snapshot recording (pre/post-alarm images)	50	50	50	50	50
Terabyte ring buffer storage (internal/network)	•	•	•	•	•
Continuous recording with sound (0.2 to 30 fps)	•	•	•	•	•
Event recording with sound	•	•	•	•	•
Time and event control/flexible event logic	•/•	•/•	•/•	•/•	•/•
Weekly schedules/holidays	•	•	•	•	•
Web functionality (FTP, email)	•	•	•	•	•
Playback/QuadView and MultiView	•/•	•/•	•/•	•/•	•/•
Bidirectional sound in browser	•	•	•	•	•
Logo generator, animated	•	•	•	•	•
Master/Slave arming	•	•	•	•	•
Several scheduled privacy zones	•	•	•	•	•
Customized voice messages	•	•	•	•	•
VoIP telephony (audio/video, alert)	•	•	•	•	•
Remote alarm notification (network message)	•	•	•	•	•
Signal inputs/outputs and RS232 via MxBus module	•	•	•	•	•
Programming interface (HTTP API)	•	•	•	•	•
Security Features (HTTPS/S/L, IP-based access control, IEEE 802.1X network authentication)	•	•	•	•	•
Video Analysis					
Video motion detector	•	•	•	•	•
MxAnalytics	–	–	–	–	–
MxActivitySensor	•	•	•	•	•
Video Management Software					
MxManagementCenter/MxControlCenter/MxEasy	•	•	•	•	•
MOBOTIX App (iOS)	•	•	•	•	•

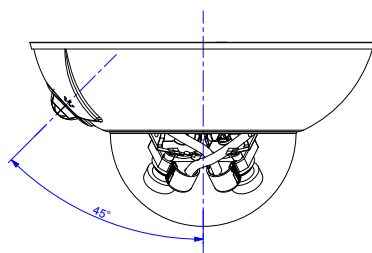
- available ex works
- not available

Delivered Parts D15

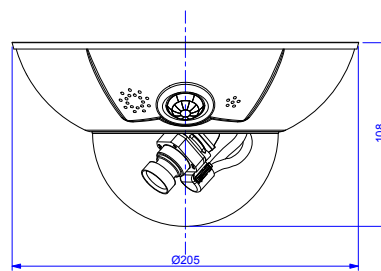


(Excerpt from the technical documentation: www.mobotix.com > Support > Manuals)

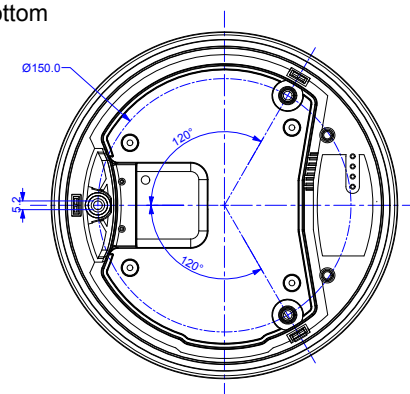
Side



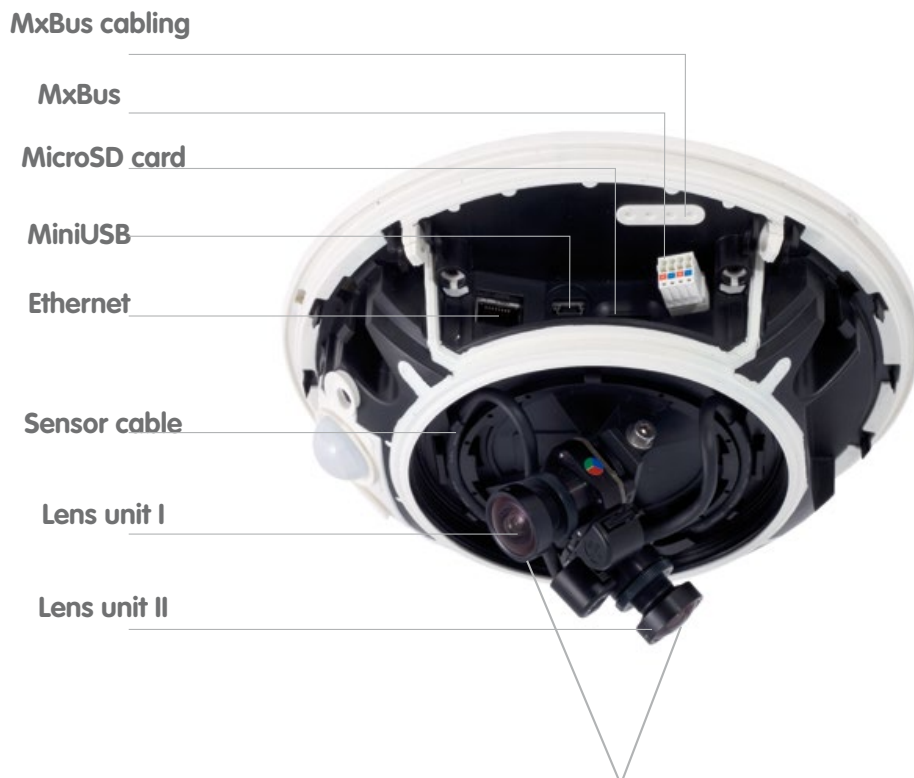
Front



Bottom



(Excerpt from technical drawings and 3D views: www.mobotix.com > Support > Image Database)



Two freely positionable camera modules

(D15 – Camera housing and connectors, excerpt from the technical documentation)