

MOBOTIX M25 6MP Allround Camera



Camera image of Mount Everest, recorded by the highest webcam in the world (5675 m altitude).

Tough. For Any Environment.

Designed and engineered to withstand the most demanding of conditions, featuring high tolerance and an IP66 rating. The M25 features the 6MP technology and is highly adaptive as to where it can be deployed, thanks to the wide choice of available lenses.

Technical specifications subject to change without notice. For more information on the M25 and on the entire range of MOBOTIX products, such as prices, manuals, video management software for computers and iOS devices, etc., please go to www.mobotix.com > **Products**. Or contact us by phone (+49 06302 9816-103) or email (sales@mobotix.com).



Fast, Cost-Effective Installation

The M25 ships as a complete kit, including wall & ceiling mounts and other mounting accessories. As with all MOBOTIX cameras, no additional software, housings or cooling/heating fans required.



Tough Design

The M25 is built tough, with an IP66 weatherproof rating, it can withstand extreme temperatures and the harshest of conditions. The fibreglass re-inforced outer housing is designed for long life.



2-Way Audio

Like the other MOBOTIX cameras, the M25 has built-in VoIP functionality for 2-way lip synchronous audio/video via IP phones and mobile devices.



B500 Telephoto Capture

It is possible to identify license plates and people even at distances of more than 70 meters/230 ft. thanks to the B500 (L270) lens that can be used with the M25 and the high-resolution 6MP sensor.

Technical Data

Lens Options	B016, B036 to B500 (L10 to L270), B045-100-CS (CSVario 24 to 54 mm)	Min. Light Sensitivity	Day Sensor: 0.1 lux at 1/60 sec Night Sensor: 0.02 lux at 1/60 sec
Image Sensors	1/1.8" CMOS (6MP) Day (Color) or Night (B&W)	Sensor Resolution	6MP: 3072x2048 pixels (Color/B&W)
Max. Frame Rate (MxPEG)	MEGA/HD: 30 fps, QXGA: 15 fps, 6MP: 8 fps	Compression	MxPEG, M-JPEG, JPEG, H.264 (SIP video only)
DVR Recording	Internal: microSD Card External: PC/NAS (to 4 TB)	Audio	Integrated microphone & speaker, VoIP, intercom, sound recording
Operating Conditions	IP66, IK08, -30 to +50 °C	Internal Sensors	Temperature, microphone, illumination, shock detector
Image Processing	MxActivitySensor, VMD, image correction, backlight, MxAnalytics	Software (free of charge)	MxManagementCenter, MOBOTIX App



M25 – Technical Specifications



Security-Vision-Systems **MOBOTIX**

Camera Variants	M25 Day	M25 Night
Lenses, Sensors		
Fisheye Lens MX-B016 (Hemispheric, 180° x 180°)	MX-M25-D016	MX-M25-N016
Ultra Wide Lens MX-B036 (103° x 77°)	MX-M25-D036	MX-M25-N036
Super Wide Lens MX-B041 (90° x 67°)	MX-M25-D041	MX-M25-N041
Wide Lens MX-B061 (60° x 45°)	MX-M25-D061	MX-M25-N041
Standard Lens MX-B079 (45° x 34°)	MX-M25-D079	MX-M25-N061
Tele Lens MX-B119 (31° x 23°)	MX-M25-D119	MX-M25-N119
Distant Tele Lens MX-B237 (15° x 11°)	MX-M25-D237	MX-M25-N237
Super Tele Lens MX-B500 (8° x 6°)	MX-M25-D500	MX-M25-N500
CS-Vario Lens MX-B045-100-CS (39°-89° x 29°-65°)	MX-M25-D045-100-CS	MX-M25-N045-100-CS
Camera Module (Body), lens can be ordered separately	MX-M25-BOD1	MX-M25-BOD1-N
Image sensor with individual exposure zones	Color	B/W
Sensor sensitivity in lux at 1/60 s /1 s	0,1/0,005	0,02/0,001
Image sensor resolution (color or BW sensor)	6MP (3072 x 2048)	6MP (3072 x 2048)

Hardware Functions		
Protection class	IP66 and IK08	IP66 and IK08
Ambient temperature (range)	-30 to +50°C/-22 to +122°F	-30 to +50°C/-22 to +122°F
Temporary internal DVR	64 MB	64 MB
Internal DVR, ex works	4 GB (microSD)	4 GB (microSD)
Microphone/speaker	•/•	•/•
Passive infrared sensor (PIR)	–	–
Integrated temperature sensor	•	•
Shock detector	•	•
Power consumption (typical)	< 4,5 watts	< 4,5 watts
Variable PoE class (factory default: 3)	2 or 3	2 or 3
Interfaces Ethernet/MxBus/USB	•/•/•	•/•/•
Interfaces IO and RS232	With accessory (e.g., MX-232-IO-Box)	With accessory (e.g., MX-232-IO-Box)

Image Formats, Frame Rates, Image Storage		
Maximum image format	6MP (3072 x 2048)	6MP (3072 x 2048)
Maximum frame rate (MxPEG, max. resolution)	8 fps (6MP)	8 fps (6MP)
CIF images with 4 GB MicroSD DVR	250,000	250,000
VGA images with 4 GB MicroSD DVR	125,000	125,000
HD images with 4 GB MicroSD DVR	40,000	40,000
QXGA images with 4 GB MicroSD DVR	20,000	20,000



M25 – Technical Specifications



Security-Vision-Systems **MOBOTIX**

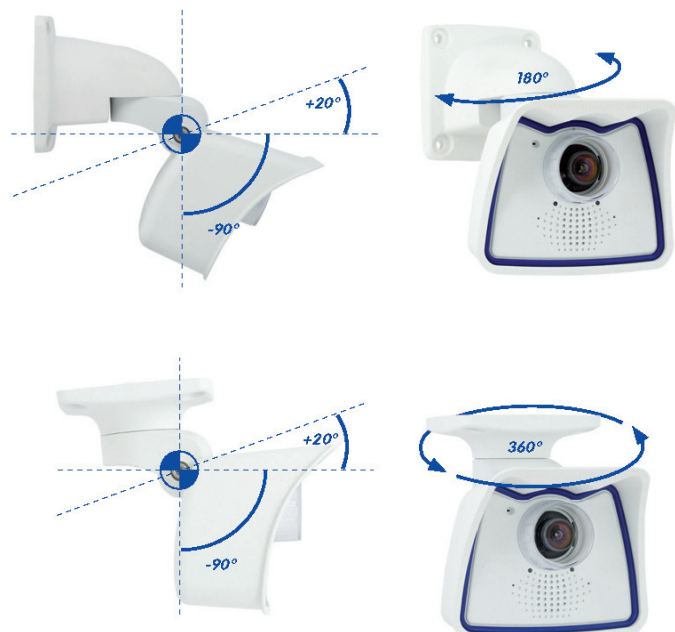
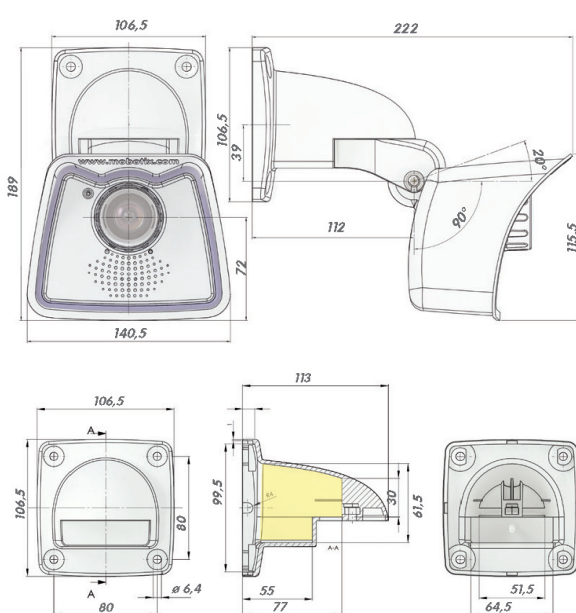
Camera Variants	M25 Day	M25 Night
General Functions		
Digital zoom (continuous) with panning	•	•
Codecs: Motion-JPEG/MxPEG/H.264 for SIP	•/•/•	•/•/•
Programmable exposure zones	•	•
Snapshot recording (pre/post-alarm images)	50	50
Terabyte ring buffer storage (internal/network)	•	•
Continuous recording with sound (0.2 to 30 fps)	•	•
Event recording with sound	•	•
Time and event control/flexible event logic	•/•	•/•
Weekly schedules/holidays	•	•
Web functionality (FTP, email)	•	•
Playback/QuadView and MultiView	•/•	•/•
Bidirectional sound in browser	•	•
Logo generator, animated	•	•
Master/Slave arming	•	•
Several scheduled privacy zones	•	•
Customized voice messages	•	•
VoIP telephony (audio/video, alert)	•	•
Remote alarm notification (network message)	•	•
Signal inputs/outputs and RS232 via MxBus module	•	•
Programming interface (HTTP API)	•	•
Security Features (HTTPS/SIP, IP-based access control, IEEE 802.1X network authentication)	•	•
Video Analysis		
Video motion detector	•	•
MxAnalytics	•	•
MxActivitySensor	•	•
Video Management Software		
MxManagementCenter/MxControlCenter/MxEasy	•/•/•	•/•/•
MOBOTIX App (iOS)	•	•

- available ex works
- not available

Delivered Parts M25



(Excerpt from the technical documentation: www.mobotix.com > Support > Manuals)



(Excerpt from technical drawings and 3D views: www.mobotix.com > Support > Image Database)

Wall mount

Lens unit

Lens unit

R key

Loudspeaker

LEDs (1 x green, 1 x red)

L key



Network connection

Mini USB

Bayonet catch

*Slot for MicroSD card
(not externally accessible)*

MxBus



(M25 – Camera housing and connectors, excerpt from the technical documentation)